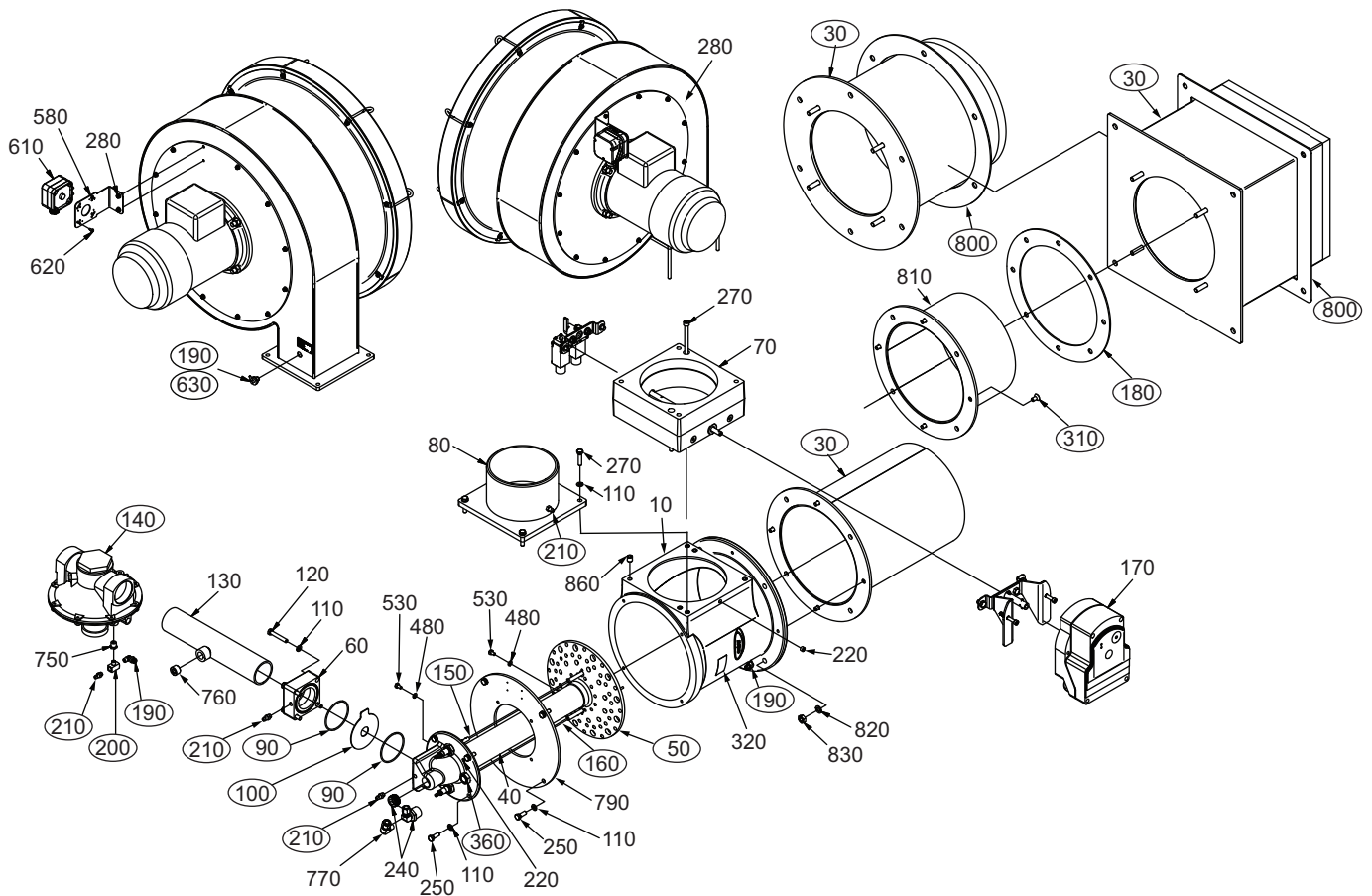


Eclipse RatioMatic Burners

Model RM0500

Spare Parts List Edition 08.15

Version 6



Ref	Part Number	Description
30	10040610	Round Refractory Combustor
30	10046069	Square Refractory Combustor
30	101247	Alloy Combustor (356mm)
30	101247-1	Alloy Combustor (432mm)
50	10039141	Nozzle, Stainless Steel, Natural Gas
50	10039142	Nozzle, Stainless Steel, Propane/Butane
50	101246	Nozzle, Natural Gas
50	100139	Nozzle, Propane/Butane
90	14778	O-Ring for Fuel Orifice Plate
100	14188-19	Butane Orifice Plate (22.5mm)
100	14188-20	Natural Gas Orifice Plate (30mm)

Ref	Part Number	Description
100	14188-44	Propane Orifice Plate (25.5mm)
140	KS03155164	Ratio Regulator (2" NPT)
140	KS03155158	Ratio Regulator (2" BSP)
150	100049-4	Igniter (446mm)
150	100049-12	Igniter (522mm)
160	100050-6	Flamerod (446mm)
160	100050-12	Flamerod (522mm)
180	20151	Burner to Furnace Wall Mounting Gasket
190	14689	Elbow Fitting for Plastic Impulse Line



elster
Thermal Solutions

(Continued to next page)

Ref	Part Number	Description
190	1494	Elbow Fitting for Braided Stainless Steel Impulse Line and Air Switch Line
190	22085	Elbow Fitting for Stainless Steel Tubing Impulse Line
190	22210	Straight Fitting for Stainless Steel Tubing Impulse Line
200	20682	Tee Fitting Impulse Line (Brass)
210	13445	Pressure Tap
310	10001	Combustor Guide Screw
360	11737	Peepsight
490	10047700	Actuator Coupling, Trilogy, Siemens
490	101027617	Actuator Coupling, IC20
490	10054035	Actuator Coupling, Honeywell
630	20606	Grommet for Plastic Air Switch Line
800	10040614	Burner to Furnace Wall Mounting Gasket (Round)
800	20182	Burner to Furnace Wall Mounting Gasket (Square)
N/S	015991-02	Braided Stainless Steel Impulse Line (610mm)
N/S	30027	Stainless Steel Tubing Impulse Line
N/S	34505	Plastic Impulse Line
N/S	015991-18	Braided Stainless Steel Air Switch Line (760mm)
N/S	34505	Plastic Air Pressure Switch Line
N/S	30027	Stainless Steel Tubing Pre-Mix Line
N/S	33059	Copper Tubing Pre-Mix Line
N/S	15608	Filter Element (Round, 27" Diameter)
N/S	10061991	Kit, Mounting, Actuator Size 6 SQM5
N/S	10061984	Kit, Mounting, Actuator Size 6 Honeywell